



Customizable track layout

45° Climbing ability

0.4m/s Speed

Robotic Inspection System with Thermal & Visible Sensors

TRX600

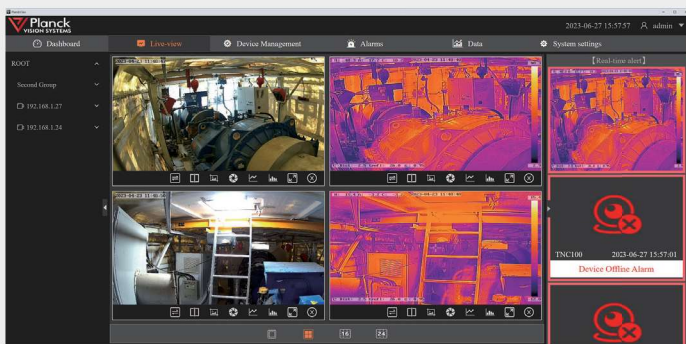
Empower Your Temperature Inspections with Precise Programmable Robotic Movements

A groundbreaking robotic inspection system featuring advanced temperature monitoring capabilities. With its suspended track and 24/7 operation, the TRX600 provides unmatched situational awareness and early detection of fire hazards and equipment failures, making it the ultimate solution for precise and efficient inspections.

See the TRX600 in action



planckvisionsystems.com/trx600



Planck View™ - POWERFUL ADVANCED SOFTWARE

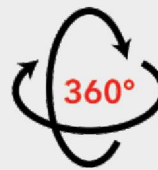
Typical Applications:

- Wind turbine
- Cargo container
- Warehouse/Storage Facility
- Data center
- Underground tunnel
- Process Control & Manufacturing

Features

Single system covers more area

Versatile robotic inspection system that eliminates the need for multiple fixed-point monitoring. With wireless communication and integrated control design, it offers simplified deployment, implementation, and maintenance for efficient and effective inspections.



Autonomous inspection

Experience the power of TRX600's autonomy as you effortlessly program repeatable inspections. Gather real-time data on a scheduled basis, or anytime on demand, ensuring reliable and accurate monitoring of data 24/7.

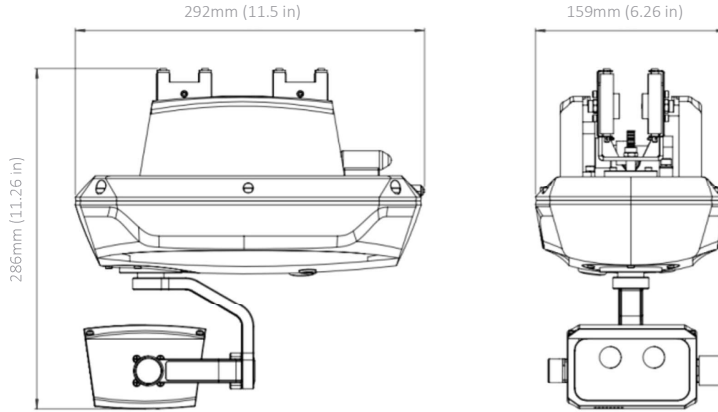


Remote Operation

Web-based control software enables remote monitoring and operations from any location. Stay connected in real-time and follow along as TRX600 conducts preprogrammed operations, or take instant control to navigate inspections manually.



Product Dimensions



Product Specifications*

General	Weight	Less than 4kg (11 lb)
	size	292×190×290 mm (11.5×7.5×11.4 in)
	Operating Temperature	-20°C to 55°C
	Housing material	Aluminum alloy
	Communication	WiFi
Track	Weight	<1.0 kg/m
	Speed	Maximum 0.4 m/s (1.3 ft/s)
	Max. Grade	45°
	Positioning Accuracy	< 5mm
	Turning Radius	0.3m (0.98 ft)
Battery	Type	Lithium
	Charging method	Contact charging
	Charging Time	< 2 hours
	Life	4 hours
Camera Function	Pan Tilt	Pan range: -120° to +120°, Tilt range: -90 to +30°
	Visible Camera	8M pixels
	Thermal Imaging	640 x 480 fusion display resolution
	Voice intercom	Supports full-duplex intercom

*Disclaimer: Specifications subject to change without notice.